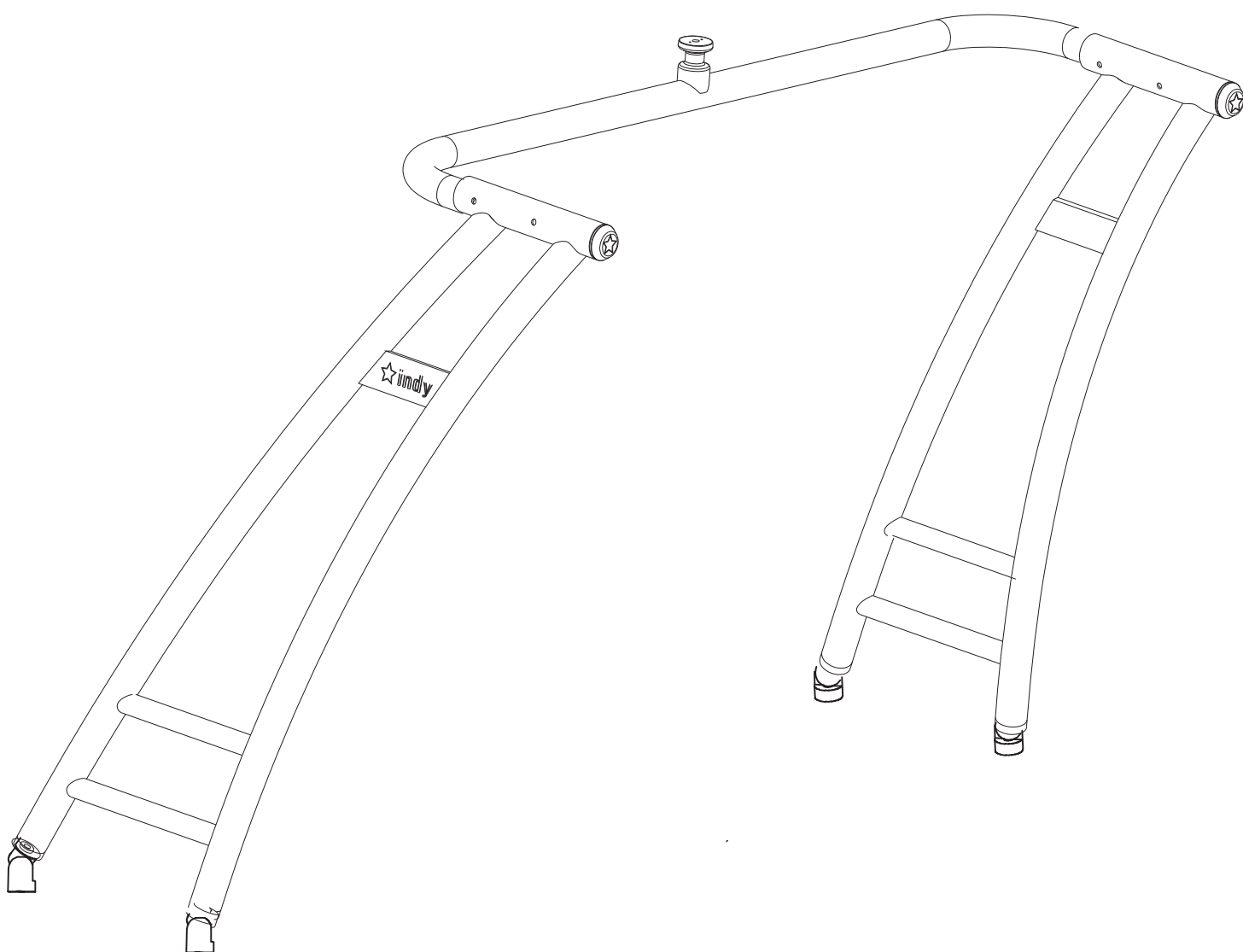


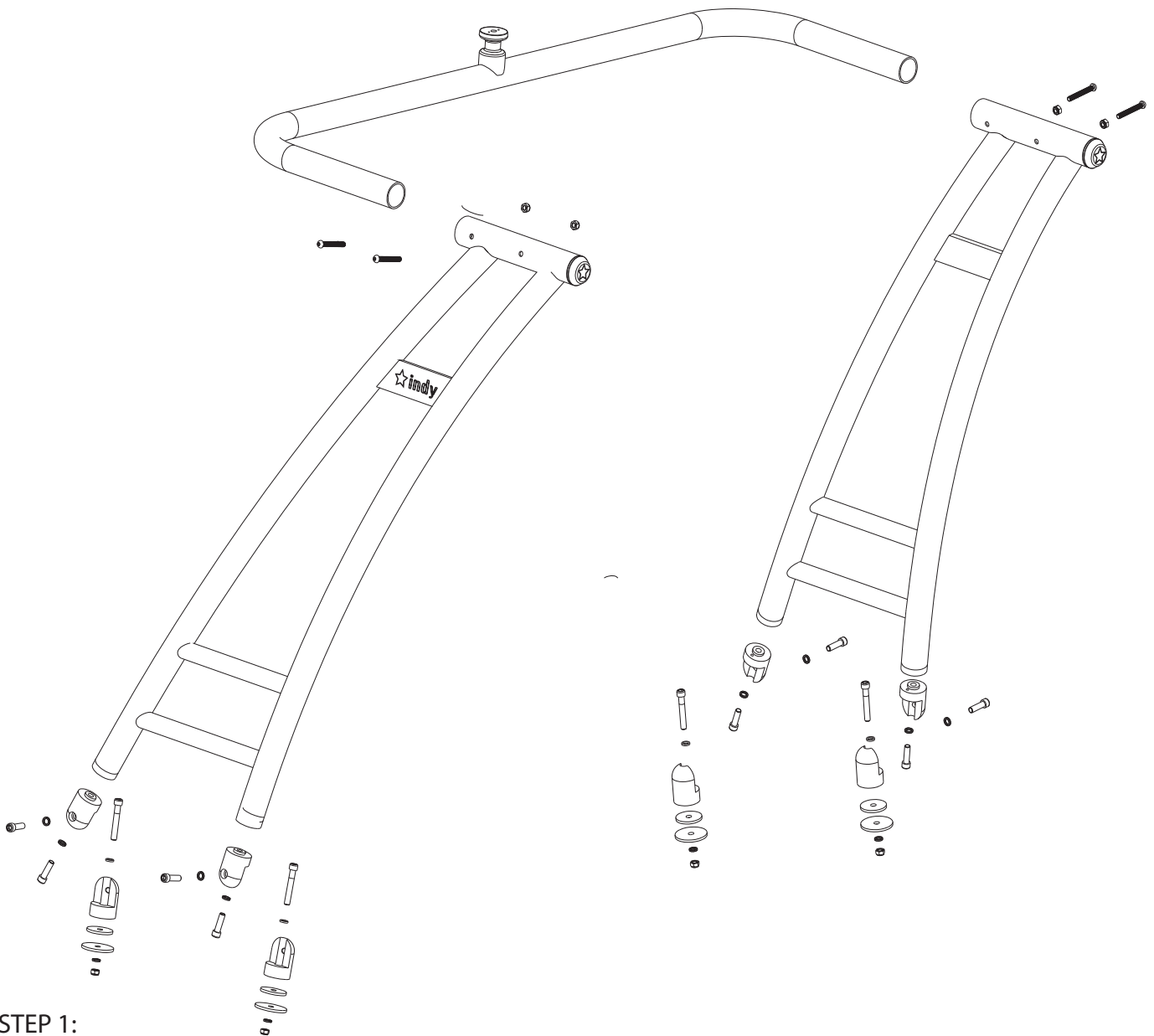


LIQUID MAX - FORWARD FACING WAKEBOARD TOWER



INSTALLATION GUIDE

EXPLODED VIEW OF THE INDY PRO TOWER FOR YOUR REFERENCE



STEP 1:

Unpack and check the contents of the box

Check the parts list and the Instruction Guide correspond with the product you purchased

Ensure you have the correct tools you have to complete the Installation.

Ensure you have the skills to complete the installation

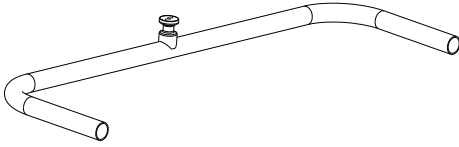
Please Read all Instrustion prior to installation

If you are NOT sure of any part of the guide or you have any questions

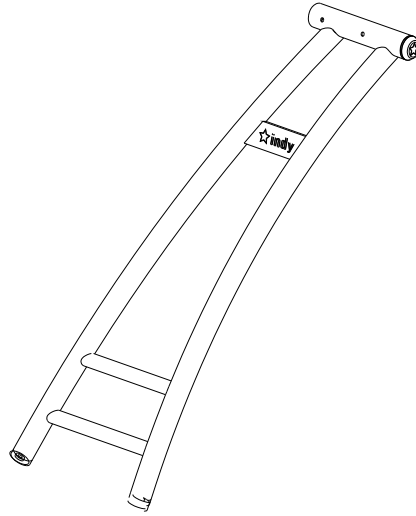
Please contact the supplier or Indy Wakeboard Towers

Email: indywakeboardtowers@gmail.com

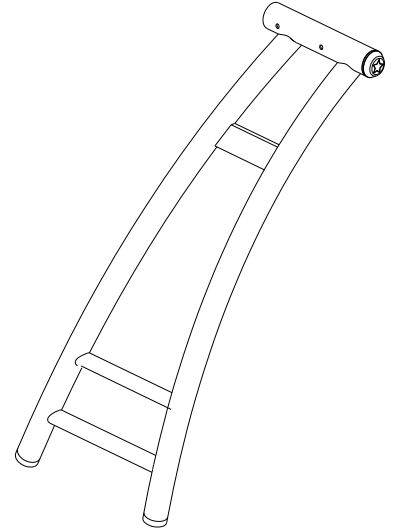
PARTS LIST



1 x Top Section



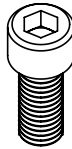
1 x Starboard side leg



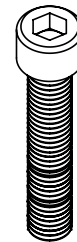
1 x Port side legs



4 x M6 Bolts
already install in fittings



8 x M12 Short Bolts



4 x M12 Long Bolts Deck



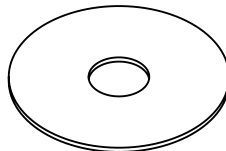
12 x Splt Washers



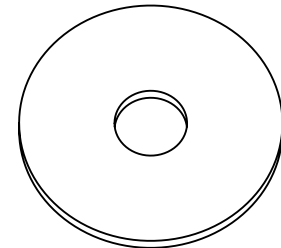
4 x small Nylon washer



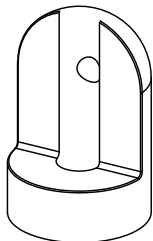
4 x M12 Locking Nut



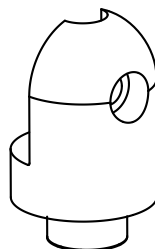
4 x Nylon deck Plates



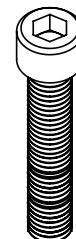
4 x Large 70mm Alloy plates



4 x Flat Base Deck Mounts



4 x Open Hole leg fittings



4 x Long Dome Head bolts
4 x Nuts for long bolt
bolts and nuts of top
section drilling and bolt.

Step 2: Attaching end fittings to Legs

The front and rear legs use the same end fittings

A rounded fitting with an open hole to attach to the deck mounts

Note the curve shape fitting has an open hole through the side to attach to the threaded deck mount

Note the base of has a raised circle area

Note the end of the tower leg has a counter sunk circle with internal thread

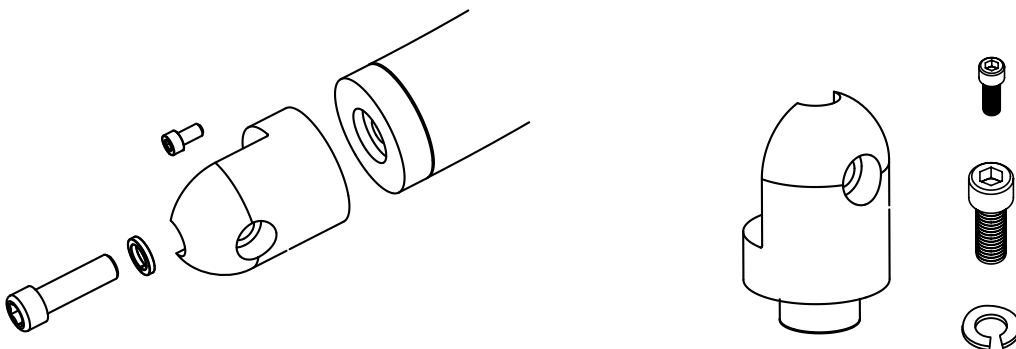
Insert the raised circle base of the fitting into the counter sunk area of the leg end

Use the M12 bolt and split washer inserted through the centre and tighten.

Note you can rotate the fitting

Use the small M6 bolt in the small threaded hole to lock the fitting from rotating

For now allow the fitting to rotate slightly for adjustment.

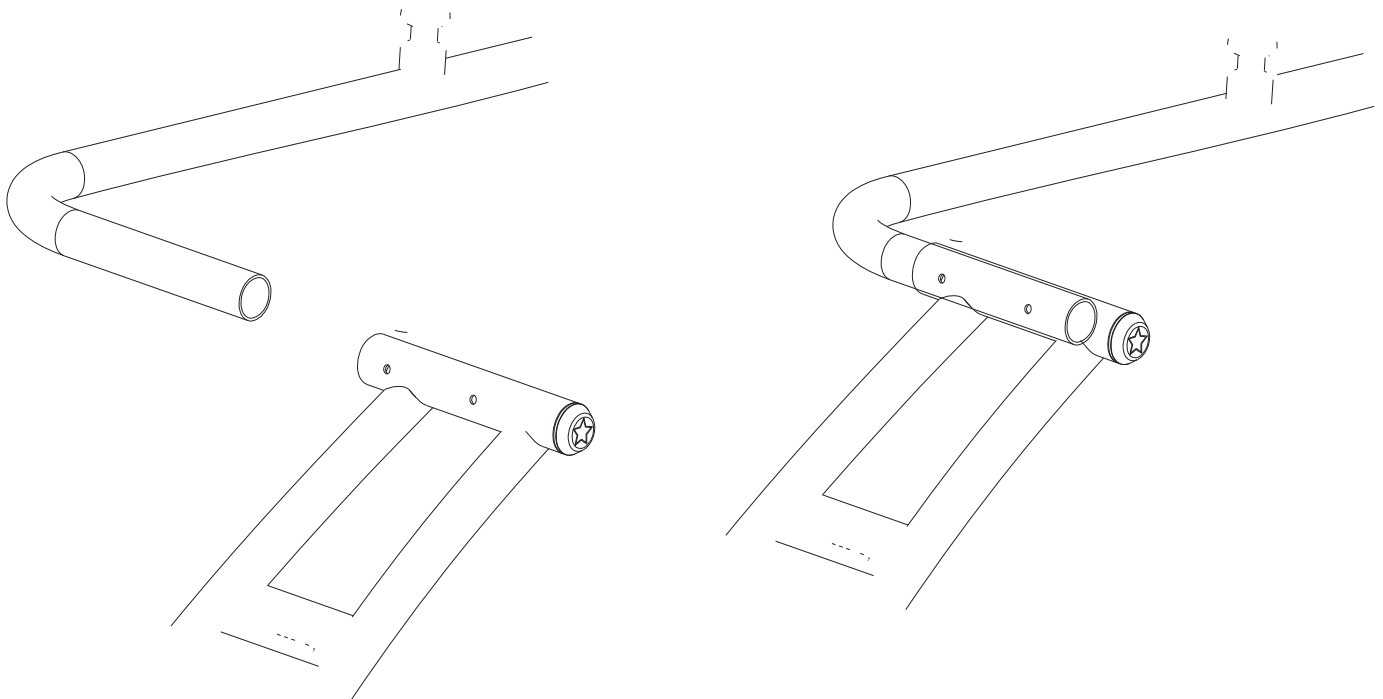


Step 3: Attaching top section to Legs (Mark on top section)

Lay you top section on the ground.

With a tape measure measure from the open end back towards the corner mark near the corner. (use some masking tape and pen.)

Mark the same distance on both sides of the top section.
This will help once you insert the top into the top of the legs.



Step 4: Attaching top section to Legs (insert top section into legs)

NOTE: Look inside the top tube of the legs. PLEASE CHECK INSIDE....

ENSURE THAT THERE ARE NOT PEICES OF METAL WELDS STICKING UP.
IF THERE IS FILE DOWN. Remove the plastic film if there is NOT NEEDED.
REMOVE THE RUBBER CAP ENDS NOT NEEDED.

Now you can insert the top section into the top of the legs.

Once you have both side inserted you can check the distance from the tube end of top of legs to the mark. Need to be the same or very very close.

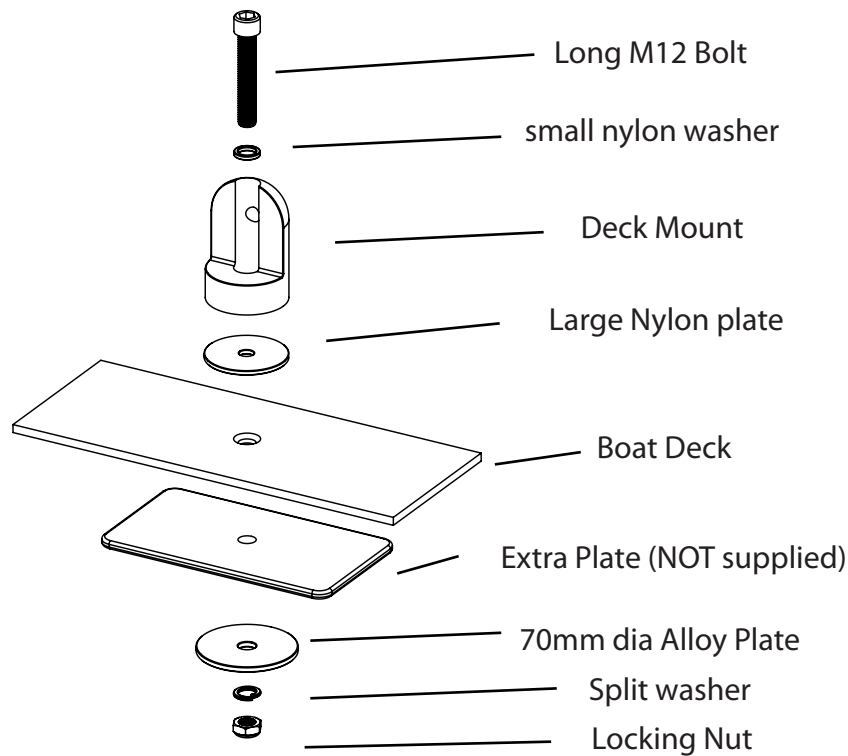
Step 5: Assembly of Deck Mounts Reference



Note the flat base

Note the threaded hole in the fitting

Deck Mount assembly for top or side.



Step 6: Installation of Front Deck Mounts onto Boat.

ONLY DRILL HOLES FOR FRONT MOUNTS AT THIS STAGE.

Recommended to be placed on flat surface under the mount.

Can be side mounted or ontop.

CHECK that rear mount will also be on flat surface for the full mount.

Measure across boat side to side in the areas where mounts will go.

Use extra plate of (ply or Alloy) underneath the deck between the our alloy plate supplied and the deck of the boat (see picture above)

NOTE : WARNING

Before Drilling into your boat PLEASE check that you have clear access to the area.

Check for objects, wires or other hazards.

TIP

Do not measure from windscreen, cleats, vents or use as a reference point.

These objects are not always square and the same as the opposite side.

It is best to use the front or rear of the boat as the reference point Or the top edge of the deck mould or similar if possible. Always triple measure and check before drilling

Tighten the deck mounts allow them to rotate, if the will not rotate under presure or leverage from attaching leg check the assembly is correct. (note they will be very hard to rotate by hand)

Step 7: Attaching the tower to the Front Mounts

Measure the distance between the front mounts you have installed on the boat.

Use this measurement to and adjust the tower you have assembled on the ground. rotate the fittings on the tower to face bolts on the outside. (do not tighten yet just enough so you can rotate under pressure)

Now have a 2nd person help you lift and attach to the the boat.
Use the M12 bolts and washer and attach to the deck mounts.

You can lower the tower forwards, in the folded position.
attach the deck mount to the end of the rear tower legs.

MEASURE back from the front mount on the boat to where the rear mount will be positioned and Mask up the area to protect it.

Once you have down this, erect the tower and now place the deck mounts of the rear legs onto the boats deck.

Mare around the deck mounts.
Now use the Nylon plate to mark where the hole is to drill

WARNING

Check underneath the deck before drilling for objects, wires, tripple check.

Step 8: Attaching the rear deck mounts.

Lower the tower and remove the deck mounts from the rear legs.
Now you can drill and attach the rear deck mounts.
The same as you did for the front deck mounts.

Once installed rear deck mounts you can erect the tower
and Attach the rear legs to the deck mounts.

Step 9: Drilling the top section. Check that the tower is inline and square, Look from the front and rear.
Now you can Drill through the holes in the top tube of the side legs.
(tape the insert leg to hold in position if needed whilst drilling) then bolt up tight.

REMOVE one fitting at a time whilst tower is attached to the boat (mark across joint for alignment)
Place lock tight on the surface of fitting and end of tubes where they meet.
Place lock tight on the M12 and M6 bolt.
Line up the reference mark you made and lock the centre M12 bolt first, then the small M6 set bolt.
REPEAT the process on all fittings on the tower.



CARE AND MAINTENANCE

Be sure to check and tighten all fasteners and connections prior to every use

Be cautious when towing or driving under obstacles, low hanging structures or trees

Leave tower in the erect position when towing behind a vehicle

Use soap and water to clean your tower. Avoid abrasive material that might scratch or damage the tower protective finish.

Always rinse and wipe down tower after contact with salt (brackish) water.

WARRANTY

Indy warrants the product (not including other 3rd party accessories) against manufactures defects.

To claim you must contact Indy or Distributor. The product/part is to be sent to the Distributor for inspection where it will either be repaired or replaced. (unless otherwise agreed in writing) The customer is liable for costs associated in shipping the product/part to Indy.

Indy is not responsible for personal injury or damage to the boat caused by the use of the tower or any transport charges or cost of installation or removal of the tower. Indy is not liability for direct or indirect or consequential damages resulting from delay or improper installation.

Warranty does not cover Anodised, polished and powder coated surfaces as well as any hardware corrosion they are specifically excluded as their care and use can not be controlled by Indy.

Warranty does not cover the spider coat gel cracking or damage from the installation or use of the tower on your boat. No dealer, retailer or manufacturer is the agent of James G Pty Ltd and may not assume any liability in connection with this warranty. This warranty is in lieu of all.

WARNING

The construction of your boat, design of the deck, thickness of deck and walls and overall design may cause movement at the mounting points.

If the construction of you boat causes movement at the mounting points or incorrect mounting location creates added pressure on joints increasing movement of the tower it voids warranty.

If in doubt do not install the tower.

Check all bolts and parts prior to use, especially after towing behind a vehicle, lowering and raising after storage.

WARNING

Do not stand, climb or jump off tower, do not tow a boat behind a vehicle with the tower lowered.

Do Not, tow tubes, boats or other watercraft from the tower. Watch out whilst moving under objects, such as bridges, low building and trees.

www.indywakeboardtowers.com
